



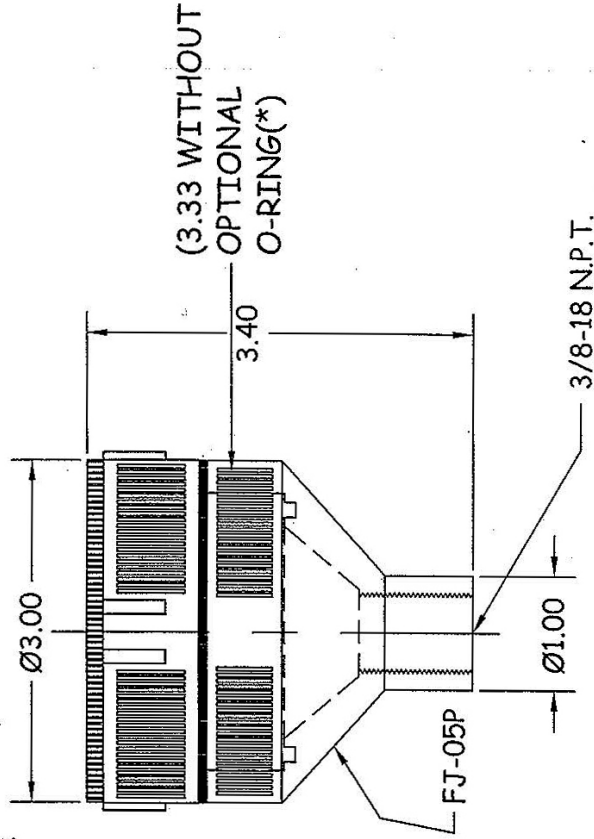
F&J SPECIALTY PRODUCTS, INC.

The Nucleus of Quality Air Monitoring Programs

P/N: FJ-05P
F&J Filter Holder
Plastic Combination
Open-Face, 2.0" Particulate
Model B 3/8" FNPT



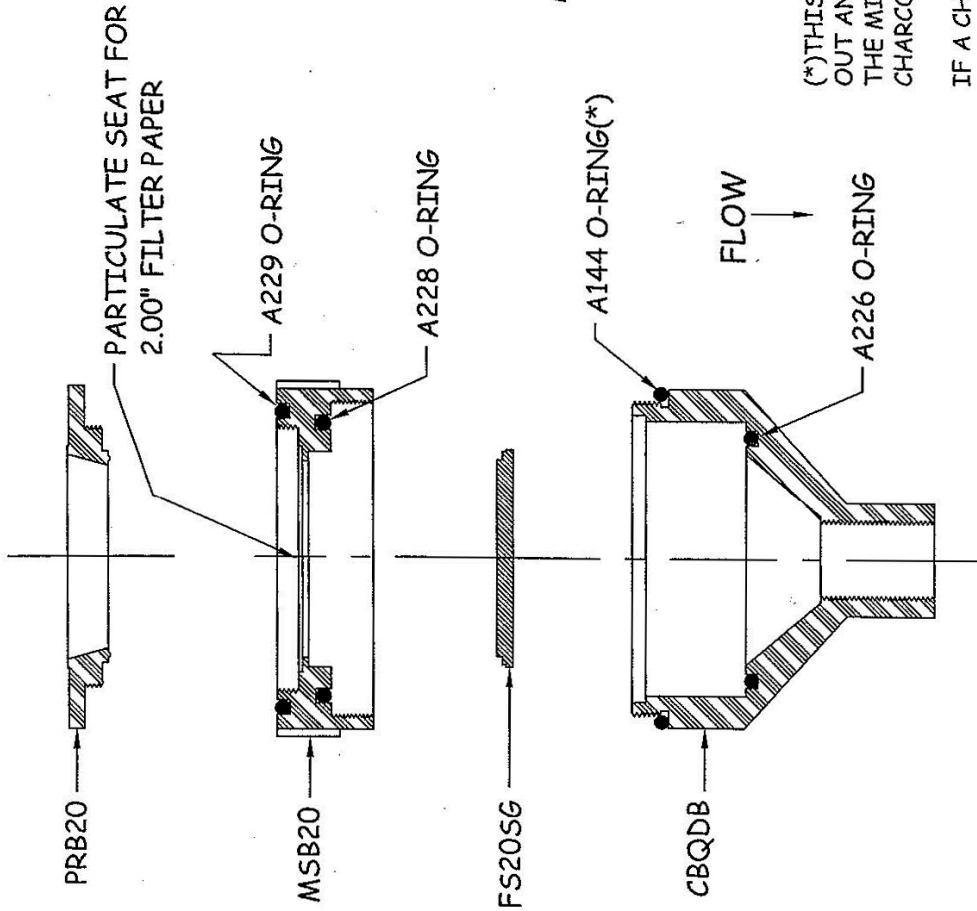
DIMENSIONS ARE FOR "REFERENCE ONLY" UNLESS STATED OTHERWISE



ASSEMBLY VIEW

(*) THIS FILTER IS DESIGNED TO SEAL WITH OUT AN O-RING BETWEEN THE CONICAL BASE AND THE MIDDLE SECTION, WHEN USED WITH A CHARCOAL CARTRIDGE AND A FILTER PAPER

IF A CHARCOAL CARTRIDGE IS NOT USED, INSERT THE ENCLOSED O-RING (*) A144 BETWEEN THE CONICAL BASE AND THE MIDDLE SECTION FOR PROPER SEALING



SECTION EXPLODED VIEW

UNLESS OTHERWISE SPECIFIED DIMENSIONS ARE IN INCHES 1 PLACE DECIMALS ±.1 2 PLACE DECIMALS ±.01 3 PLACE DECIMALS ±.005		DRAWN C. HRYCUNA		F&J SPECIALTY PRODUCTS, INC. P.O. BOX 2888 OCALA FL 34478-2888	
DATE 10 SEP 09		DATE 10 SEP 09		FILTER HOLDER PLASTIC COMBINATION, OPEN-FACE, 2.00" PARTICULATE-MODEL "B" 3/8" F.N.P.T	
REVISIONS		REVISIONS		USED ON F&J OPEN FACE FILTER HOLDER SERIES	
APPROVED <i>Paul J. Glavin</i>		DATE 10 SEP 09		PART NO FJ-05P	
MATERIAL COLOR BEIGE 8623 POLYPROPYLENE		SCALE NONE		SIZE A	
REV BY DATE DSR DESCRIPTION		REV BY DATE DSR DESCRIPTION		DO NOT SCALE DRAWING SHEET 1 OF 1	